



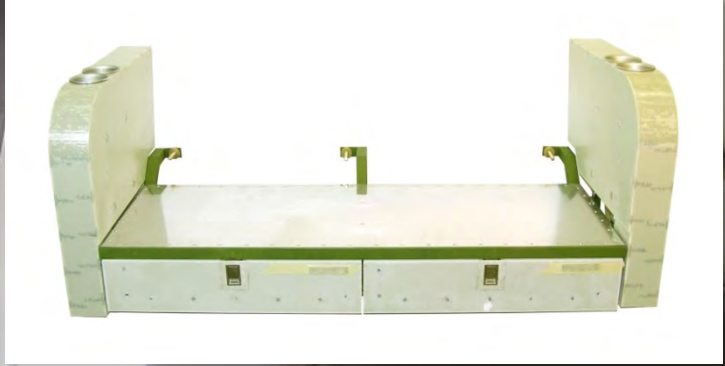
CITATION DIVAN & COUCH CATALOG

CLOSE ALL CABINRY DOORS
& DRAWERS DURING TAXI,
TAKEOFF AND LANDING.





CLOSE ALL CABINET DOORS
& DRAWERS DURING TAXI,
TAKEOFF AND LANDING





CITATION DIVANS

Description: Nothing transforms a Citation interior like a side-facing divan! Divans provide a modern, open, comfortable atmosphere and in many cases, will allow you to accommodate additional passengers. Two 2-place divans can be installed to create one 4 place divan as shown. Delivered in "green" condition without upholstery.

Models: 550, 560, 560 Encore, 650

FAA / Fully STC'd

Features: Side-facing divan kits include seat belts, machined foot design, installation instructions, STC, etc.



Options: Collapsible and Plug-in armrests may be added to either end of any of the above Divans. Under seat storage drawers. Close-out panel with or without latched doors.

Installation: Installation involves the removal of existing seat/s and furnishings, locating the new divan or divans in the desired location, and drilling anchor holes in the seat track (detailed instructions, diagrams, and weight and balance data are included).

Lead Time: Divans are custom-built for each customer, as the length can vary according to the objective of each installation and the gaps in the seat track. We are proud of our two-week lead-time reputation. However, fluctuations in demand may cause up to a 30 day delivery delay.





Citation Divans Options



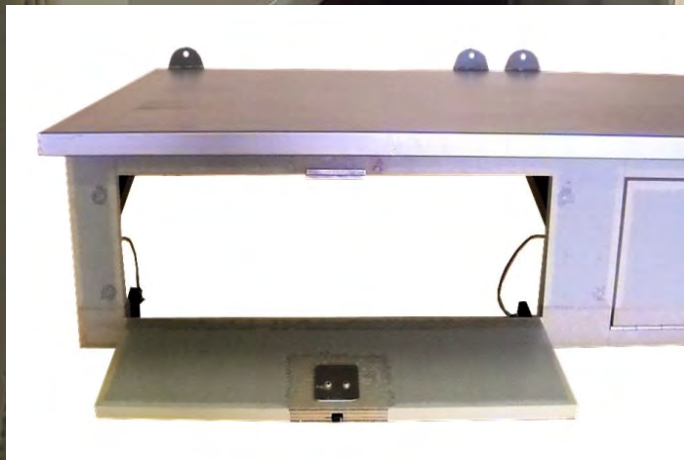
**Folding
Arm Rest**



**Plug-in
Arm Rest**



**Arm Box
with Cupholders**



Close-out Panels



**Sliding Storage
Drawers**





Installed Citation Divans



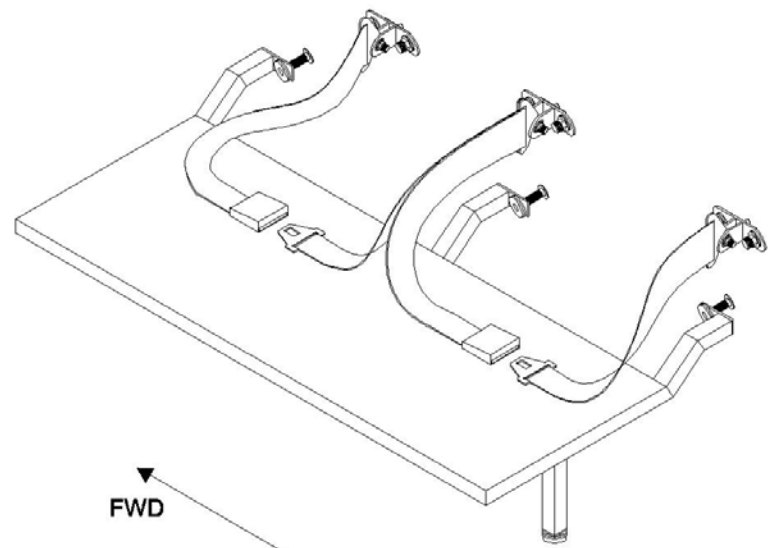
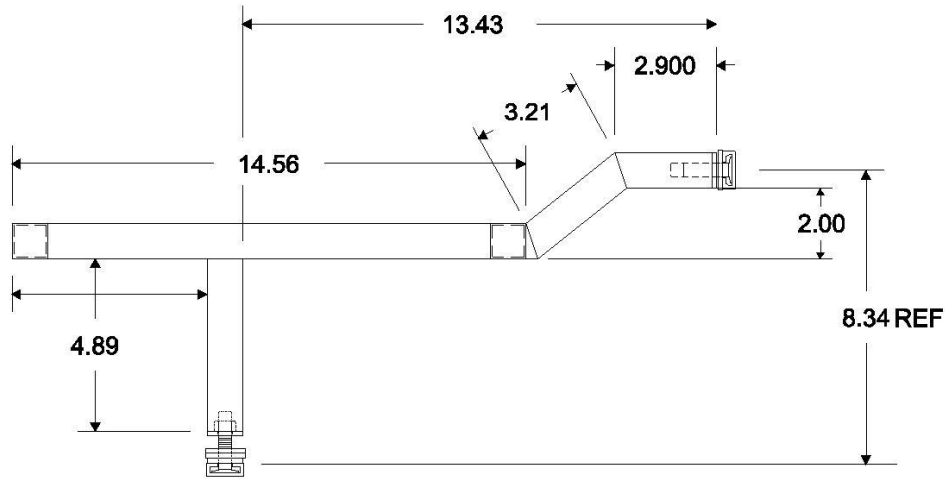


Installed Citation Divans





Sample Citation Divan Line Drawings



CLOSE ALL CABINET DOORS
& DRAWERS DURING TAXI,
TAKEOFF AND LANDING





CITATION COUCHES

Description: Want to stretch your Citation I or II cabin and give it some real leg-room and breathing room? AvFab has the only FAA approved solution! Our Aft forward-facing couch kit includes everything necessary for installation. Comprehensive installation instructions, hardware, oxygen components, additional light and vent outlets, quick-change components, placards, etc. Divan can be delivered with or without upholstery. Kit has the ability to increase the legal seating maximum. Delivered in "green" condition without upholstery.

Models: 500, 501

FAA STC: SA117RM, SA58RM

Features: All seats individually recline 20 degrees. Center seat folds forward for easy access to baggage and can be used as an armrest when the center seat is not occupied. Kit includes oxygen masks for three additional passengers, as well as air vents. Can be used in lieu of existing aft cabin seats to gain maximum leg room and comfort for the aft passengers. Increases seating maximum for Citation 500 from 7 to 11. Increases seating maximum for Citation 550 & S550 to 13.

Options: Collapsible and Plug-in armrests may be added to either end of any of the above Divans. Under seat storage drawers. Close-out panel with or without latched doors.

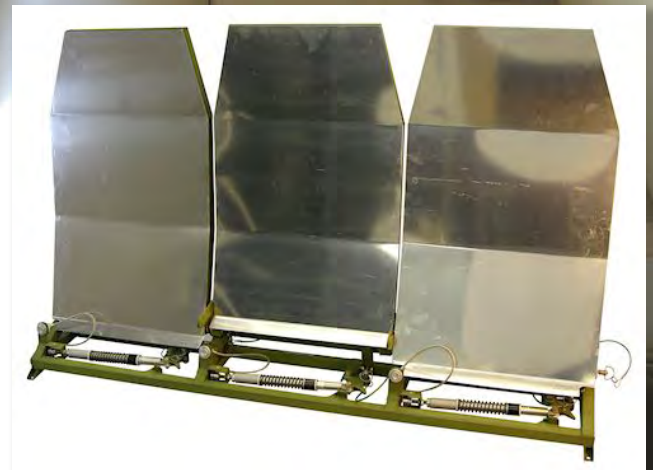
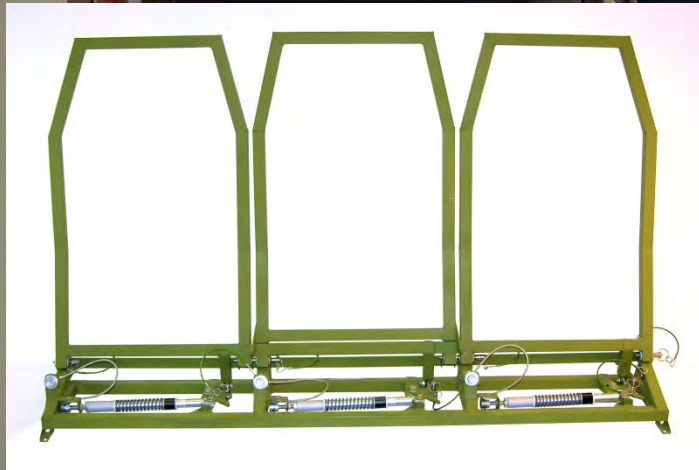
Installation:).

Lead Time: Divans are custom-built for each customer, as the length can vary according to the objective of each installation and the gaps in the seat track. We are proud of our two-week lead-time reputation. However, fluctuations in demand may cause up to a 30 day delivery delay.





TAKEOFF AND LANDING



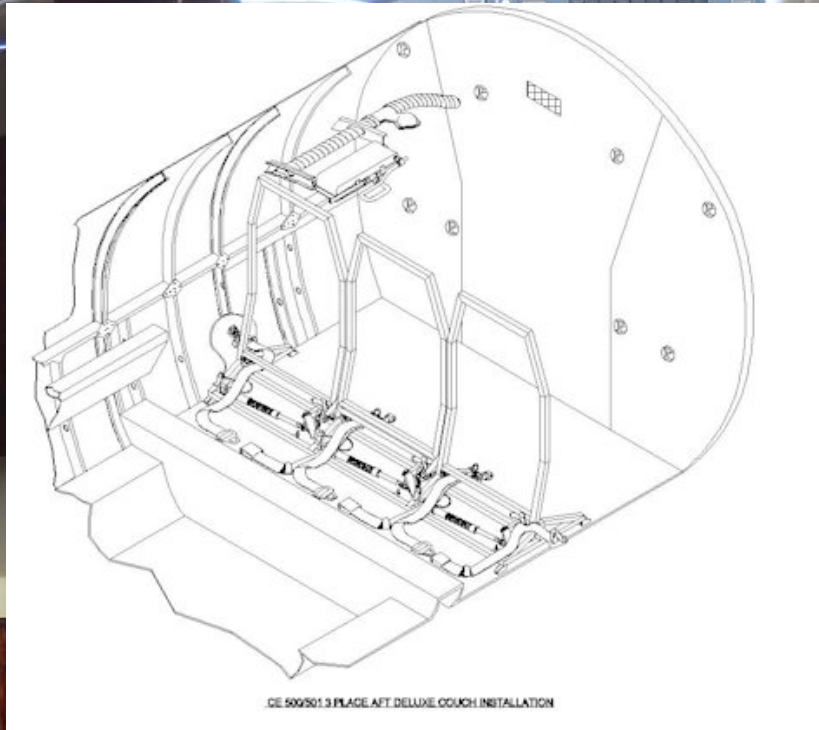


Installed Citation Couches

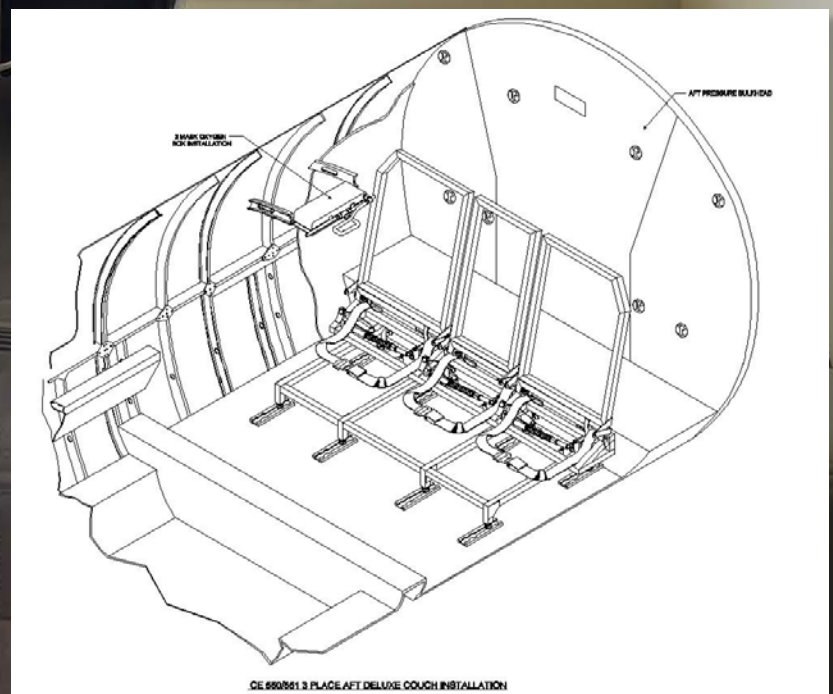




Sample Citation Couch Line Drawings



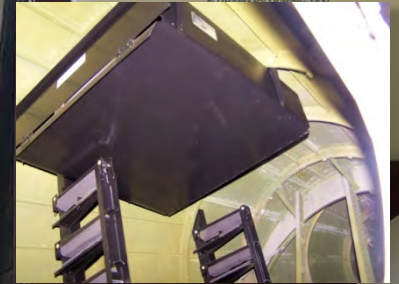
CLOSE ALL CABINET DOORS
& DRAWERS DURING TAXI,
TAKEOFF AND LANDING





Learn more about AvFab's comprehensive line
of Citation Products & Services at:

www.AvFab.com



Aviation Fabricators
805 North 4th Street
Clinton, MO 64735
(660) 885-8317

